

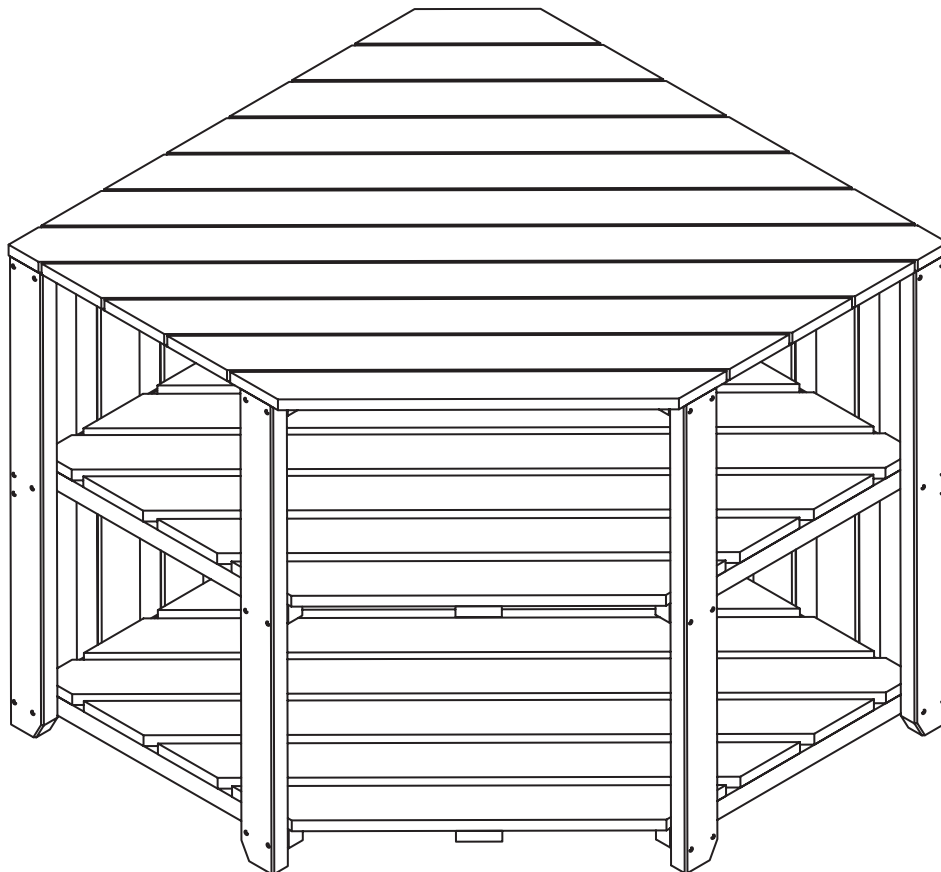


Assembly Instructions

Terraza Outdoor Kitchen Corner Unit

Code: 36102

V10823



(W x D x H) 1.02m x 1.02m x 0.89m



ONLINE ASSEMBLY VIDEO AVAILABLE
Please scan the QR code or visit zestoutdoorliving.co.uk/assembly-search



PLEASE KEEP THESE INSTRUCTIONS



Every Zest product is unique because each piece of timber has its own distinctive, natural features.

Zest sources all of its timber from responsibly-managed forests and everything it designs and produces meets the highest standards of sustainability. Zest ensures that all timber and timber-related products are certified to Programme for the Endorsement of Forest Certification (PEFC/16-37-1490).

This is vital not only for the health of the planet, but also shows Zest's commitment to the environment and to responsible sourcing. Timber is a natural material and, as such, will fit beautifully within any outdoor space. This also means that all Zest pieces are unique because every piece of timber has its own distinctive features.



Natural and Unique...

Changes in temperature and humidity will cause expansion and contraction so Zest products need time to adjust to where the owners live. A few splits or cracks are part of the maturing process and will not affect strength or durability. Knots embedded in the wood are natural and tell the story of the tree which made them. Customers may notice variations in colour but, once out in the garden and exposed to the sun, colour and shading will even out.

Most Zest products are pressure treated which protects the timber from rot and means customers will be able to enjoy the products in their garden for many years.

Fresh pressure treatment sometimes leads to a small amount of green-spotting on the surface of new timber as the natural salt leaves the wood. This will fade away over time and is in no way detrimental to quality or durability.

Splits and cracks occur naturally in the timber grain due to changing temperatures and humidity levels. They are not usually a cause for concern as they don't affect the strength or durability of the product. If however, a 2p coin can fit into the split or crack there may be an issue so it should be reported to the retailer in writing with photographic evidence.

The benefits of slow grown timber

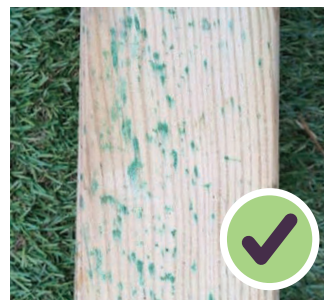
“ Slow grown timber from Eastern Europe is ideal for timber garden furniture. It produces a stronger grain in the wood giving it more durability and is said to be as strong as some hard woods. ”



Normal splits are characteristics of timber.



Knots are characteristics of timber.



Sun Bleaching & Green Spotting are not causes for concern and they will fade over time when items are placed outdoors.



Should you find a large split or dead knot, please email a photo to your retailer for investigation.

Terraza Outdoor Kitchen Corner Unit Assembly Instructions

Requires 2 Person assembly

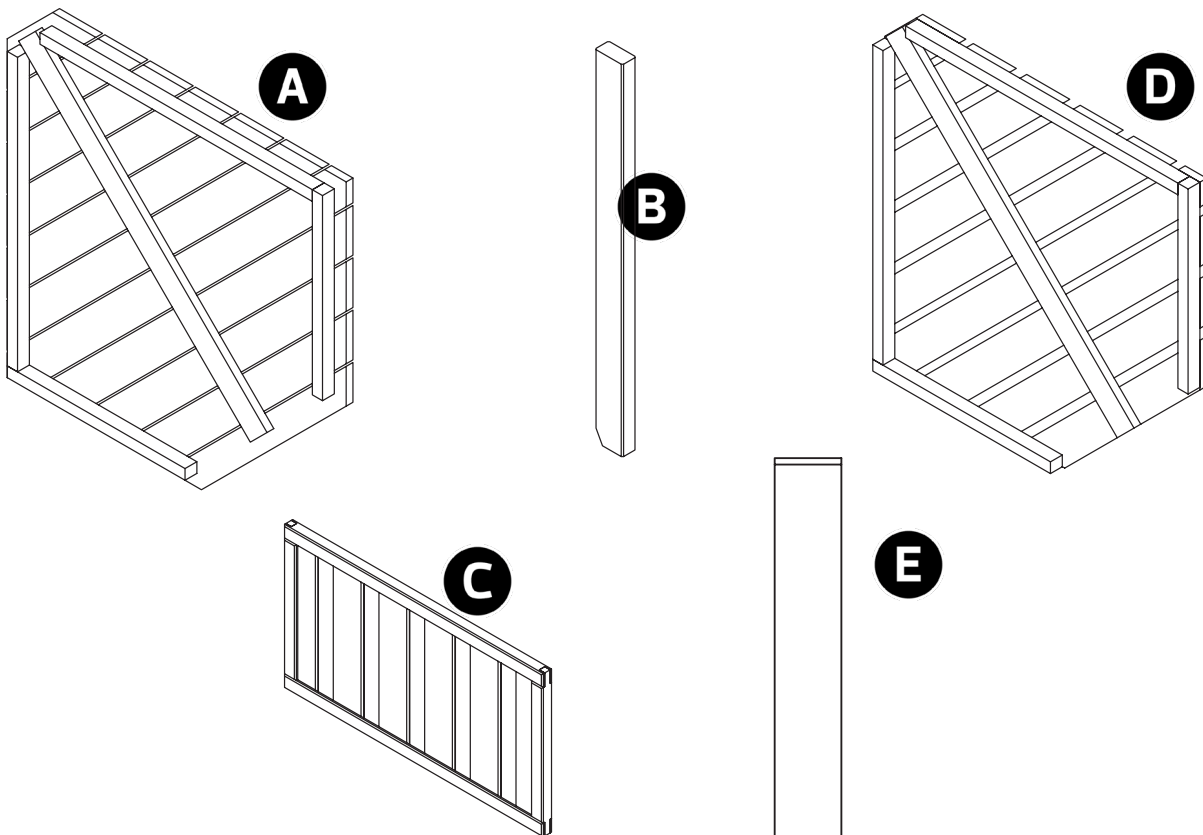
Tools required: Corded / Cordless Drill, Pozi-drive Bit / Screwdriver,
3mm Drill Bit required in order for you to drill all screw holes before construction.

We advise the product is built and situated on firm level ground.

Please take a few moments to check all pack contents listed

Terraza Outdoor Kitchen Corner Pack List			
Part Code	Item	Description	Quantity
38350	A	Worktop	1
38351	B	Leg	6
38352	C	Back Panel	4
38353	D	Internal Shelves	2
38354	E	Back Fascia	1

Code - 38355 Terraza Outdoor Kitchen Corner Fixings List		
Item	Description	Quantity
1	90mm Screw	8
2	50mm Screw	44



90mm Screws

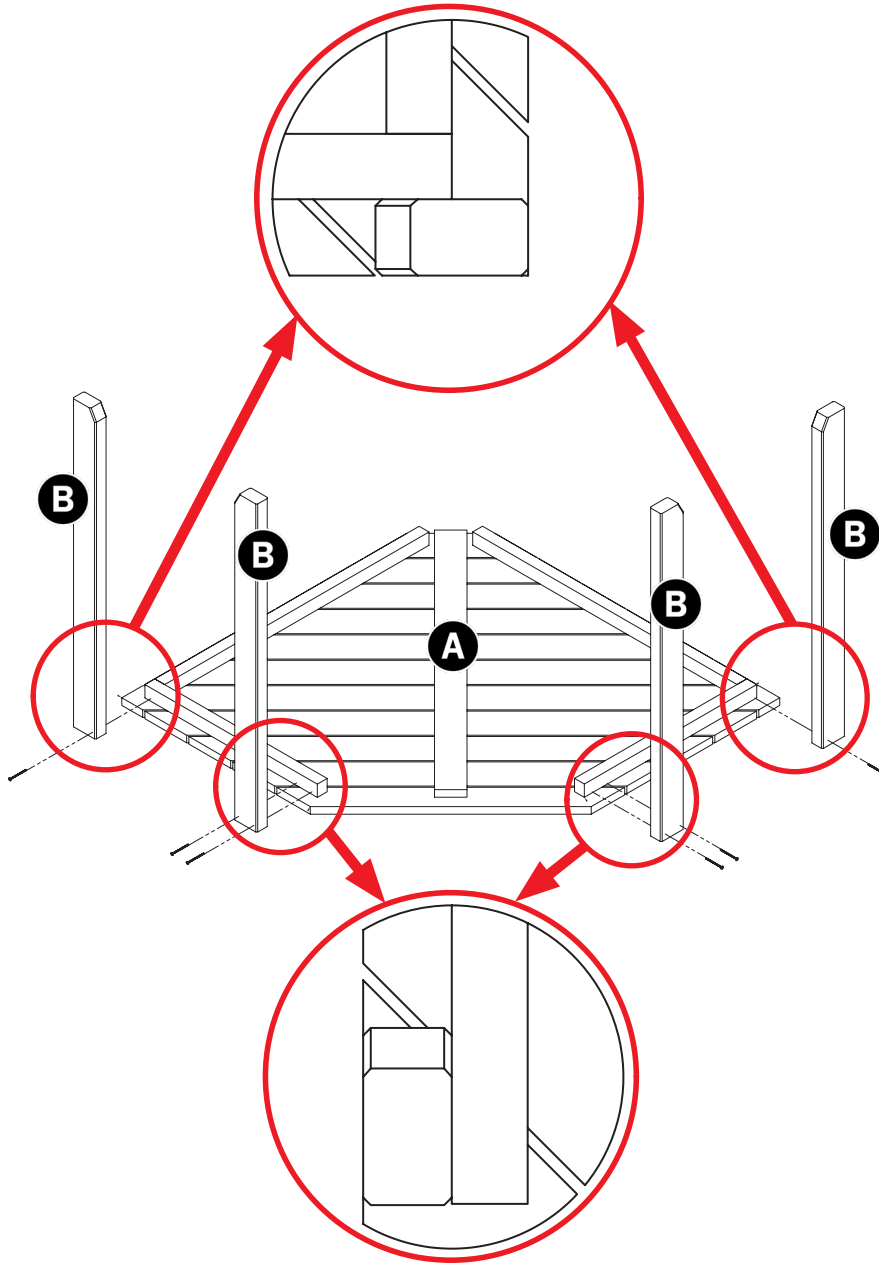


50mm Screws

This product is made from pressure-treated timber. It should not be painted or coated with any other treatment until at least 6 months after purchase

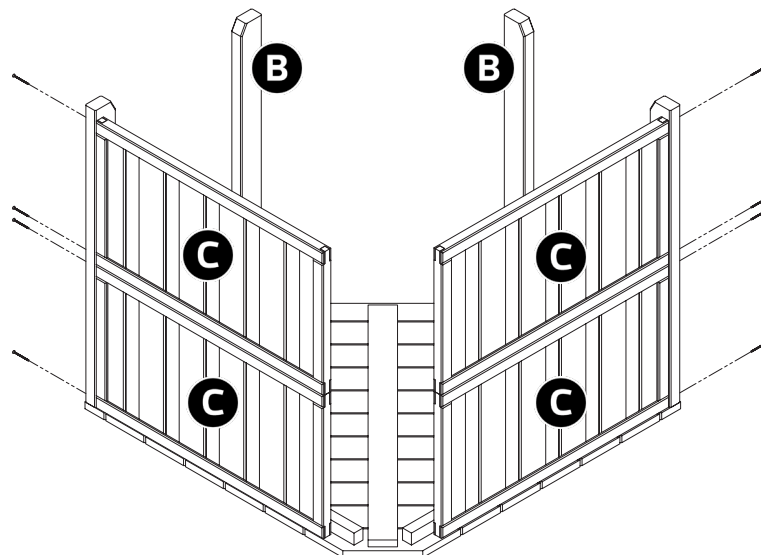
1

50mm x6



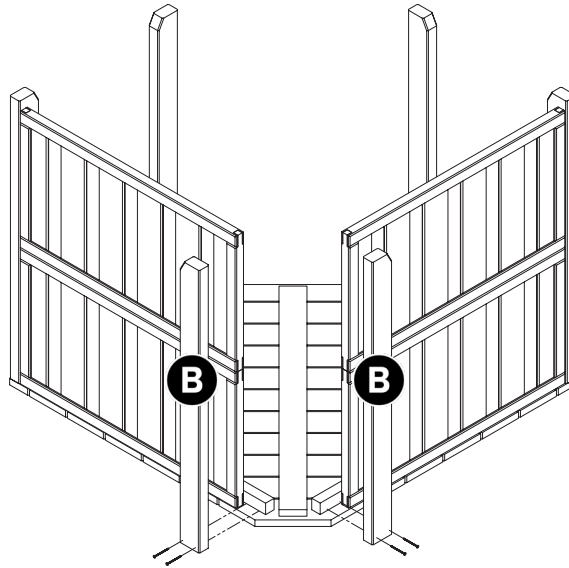
2

50mm x8



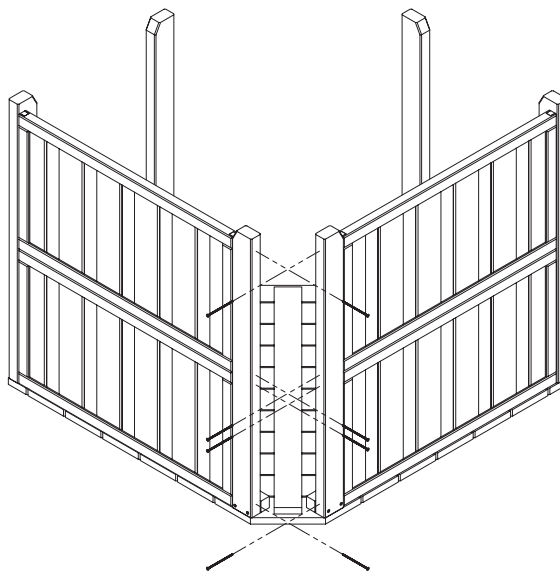
3

50mm x4



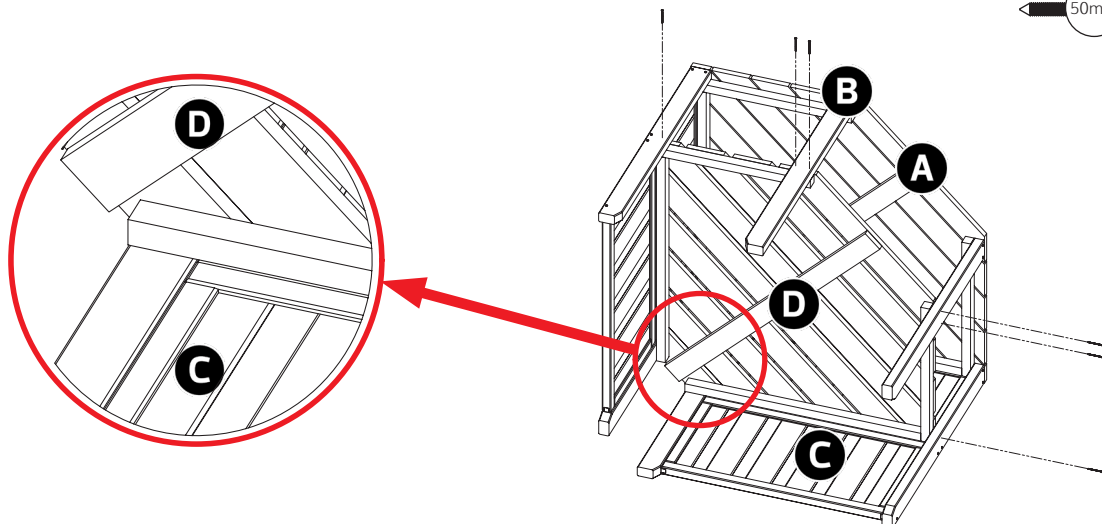
4

90mm x8



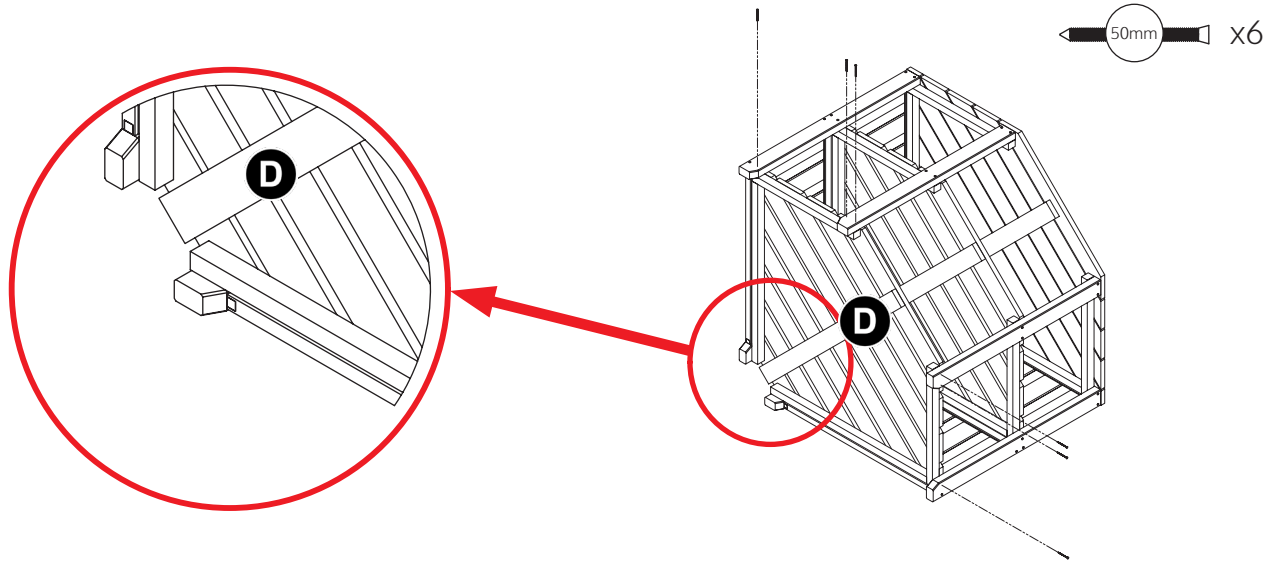
5

50mm x6



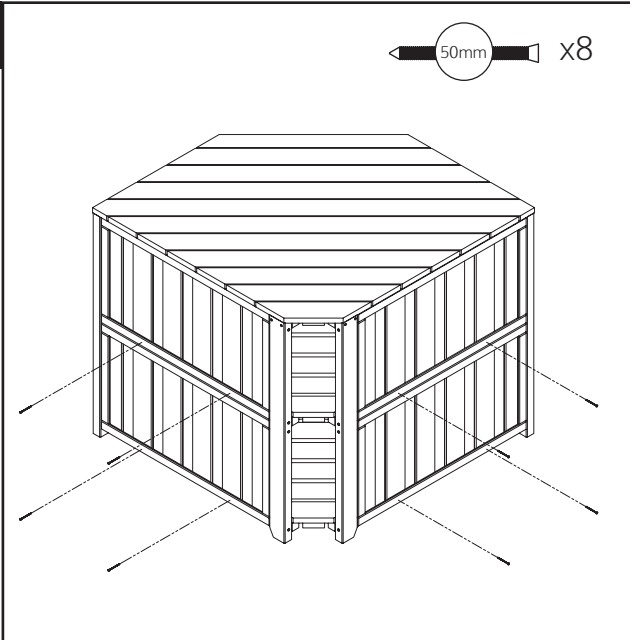
Place shelf in line with the top of the lower back panel.

6

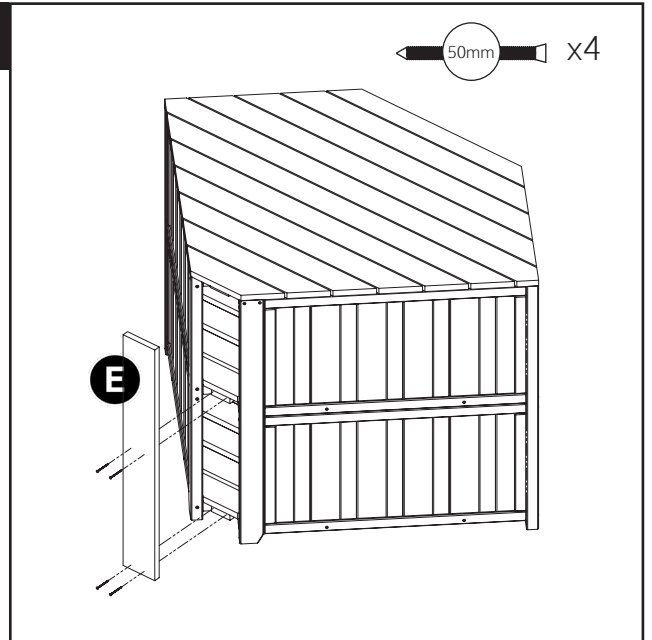


Place shelf in line with the bottom of the lower back panel.

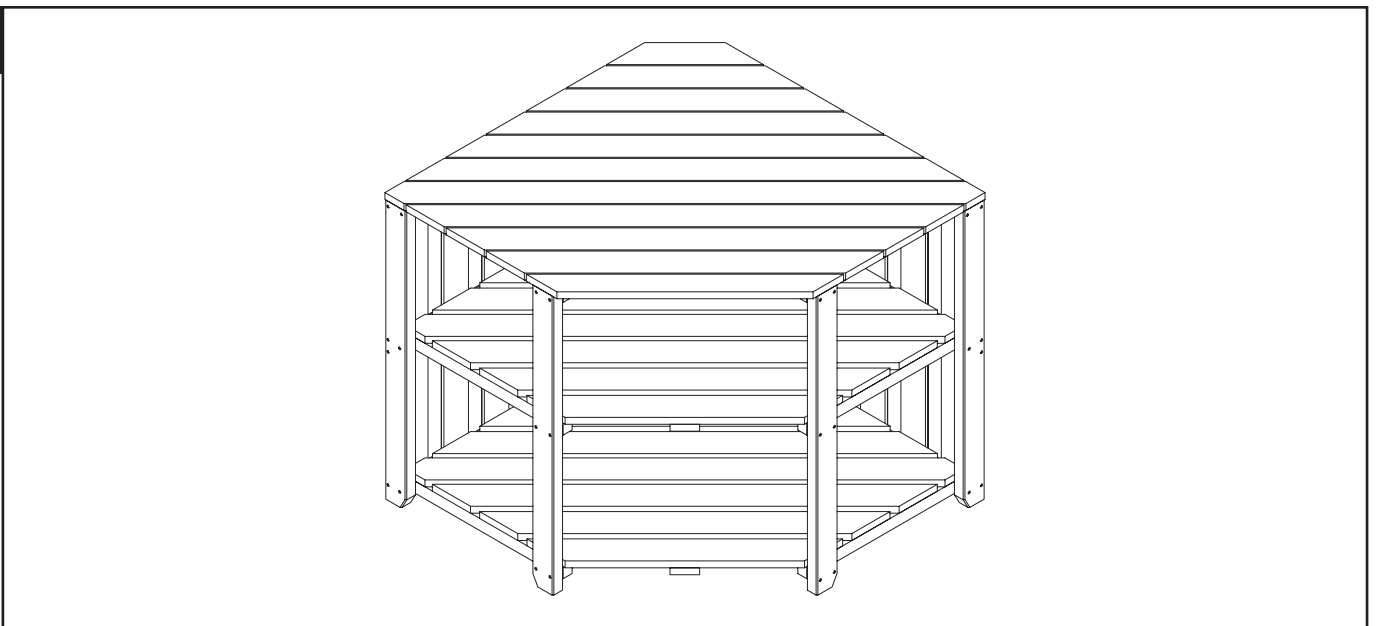
7



8



9



Your Terraza Outdoor Kitchen Corner is now complete.

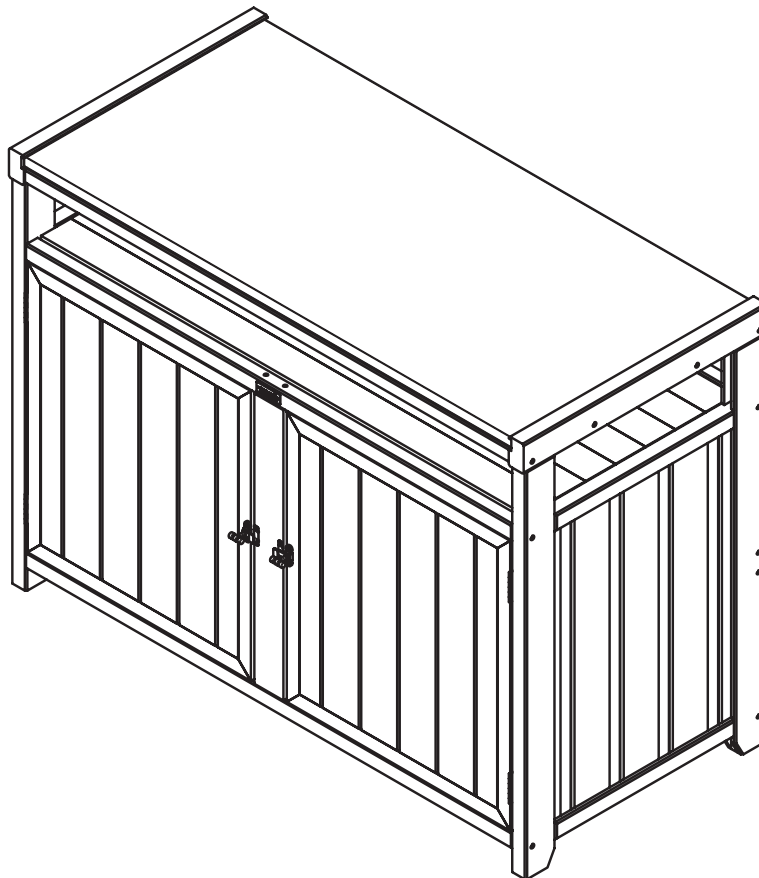


Assembly Instructions

Terraza Outdoor Kitchen Double Unit

Code: 36101

V1 08 23



(W x D x H) 1.20m x 0.6m x 0.89m



ONLINE ASSEMBLY VIDEO AVAILABLE
Please scan the QR code or visit zestoutdoorliving.co.uk/assembly-search



PLEASE KEEP THESE INSTRUCTIONS



Every Zest product is unique because each piece of timber has its own distinctive, natural features.

Zest sources all of its timber from responsibly-managed forests and everything it designs and produces meets the highest standards of sustainability. Zest ensures that all timber and timber-related products are certified to Programme for the Endorsement of Forest Certification (PEFC/16-37-1490).

This is vital not only for the health of the planet, but also shows Zest's commitment to the environment and to responsible sourcing. Timber is a natural material and, as such, will fit beautifully within any outdoor space. This also means that all Zest pieces are unique because every piece of timber has its own distinctive features.



Natural and Unique...

Changes in temperature and humidity will cause expansion and contraction so Zest products need time to adjust to where the owners live. A few splits or cracks are part of the maturing process and will not affect strength or durability. Knots embedded in the wood are natural and tell the story of the tree which made them. Customers may notice variations in colour but, once out in the garden and exposed to the sun, colour and shading will even out.

Most Zest products are pressure treated which protects the timber from rot and means customers will be able to enjoy the products in their garden for many years.

Fresh pressure treatment sometimes leads to a small amount of green-spotting on the surface of new timber as the natural salt leaves the wood. This will fade away over time and is in no way detrimental to quality or durability.

Splits and cracks occur naturally in the timber grain due to changing temperatures and humidity levels. They are not usually a cause for concern as they don't affect the strength or durability of the product. If however, a 2p coin can fit into the split or crack there may be an issue so it should be reported to the retailer in writing with photographic evidence.

The benefits of slow grown timber

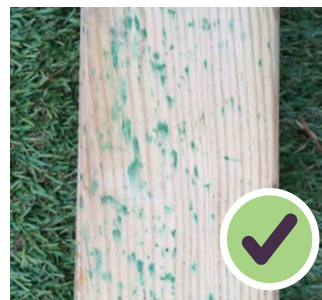
“ Slow grown timber from Eastern Europe is ideal for timber garden furniture. It produces a stronger grain in the wood giving it more durability and is said to be as strong as some hard woods. ”



Normal splits are characteristics of timber.



Knots are characteristics of timber.



Sun Bleaching & Green Spotting are not causes for concern and they will fade over time when items are placed outdoors.



Should you find a large split or dead knot, please email a photo to your retailer for investigation.

Terraza Outdoor Kitchen Double Unit Assembly Instructions

Requires 2 Person assembly

Tools required: Corded / Cordless Drill, Pozi-drive Bit / Screwdriver,
3mm Drill Bit required in order for you to drill all screw holes before construction.

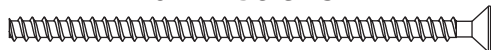
We advise the product is built and situated on firm level ground.

Please take a few moments to check all pack contents listed

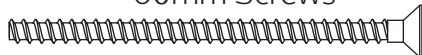
Terraza Outdoor Kitchen Double Unit Pack List			
Part Code	Item	Description	Quantity
38342	A	Side Panel	2
38343	B	Back Panel	2
38344	C	Base Panel	3
38345	D	Brace	4
38346	E	Door	2
38347	F	Centre Brace	1
38348	G	Worktop	1

Code - 38349 Terraza Double Unit Fixings List		
Item	Description	Quantity
1	70mm Screw	12
2	60mm Screw	12
3	35mm Screw	12
4	25mm Screw	24
5	20mm Screw	8
6	Stainless Steel Hinge	4
7	Twist Handle & Catch Set	2

70mm Screws



60mm Screws



35mm Screws



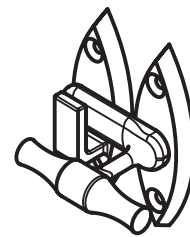
25mm Screws



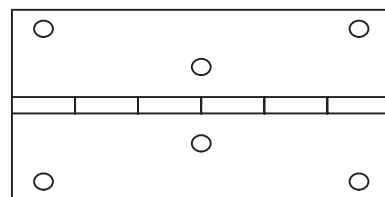
20mm Screws



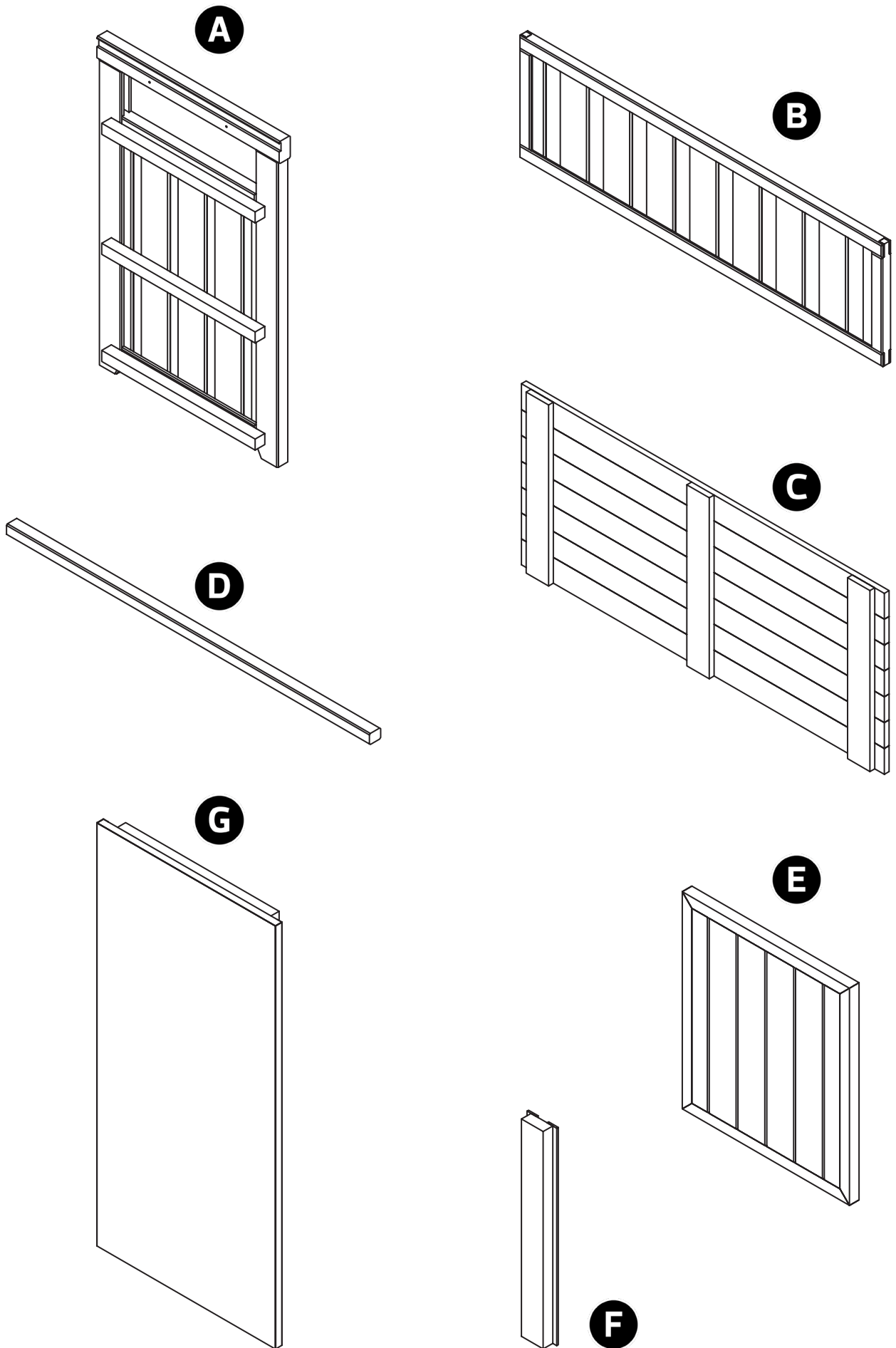
Twist Handle & Catch



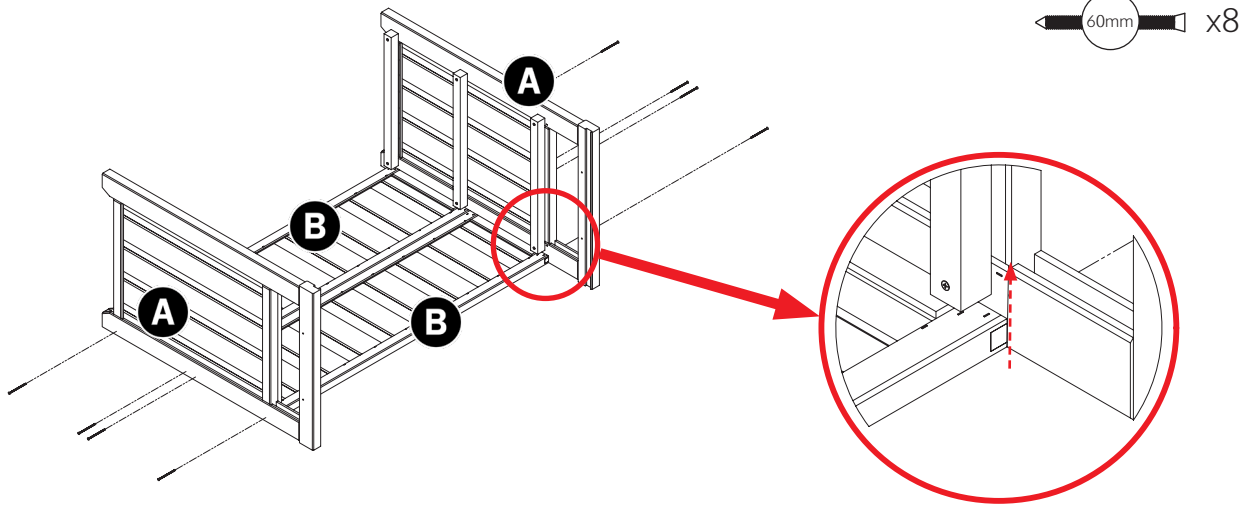
Stainless Steel Hinge



This product is made from pressure-treated timber. It should not be painted or coated with any other treatment until at least 6 months after purchase

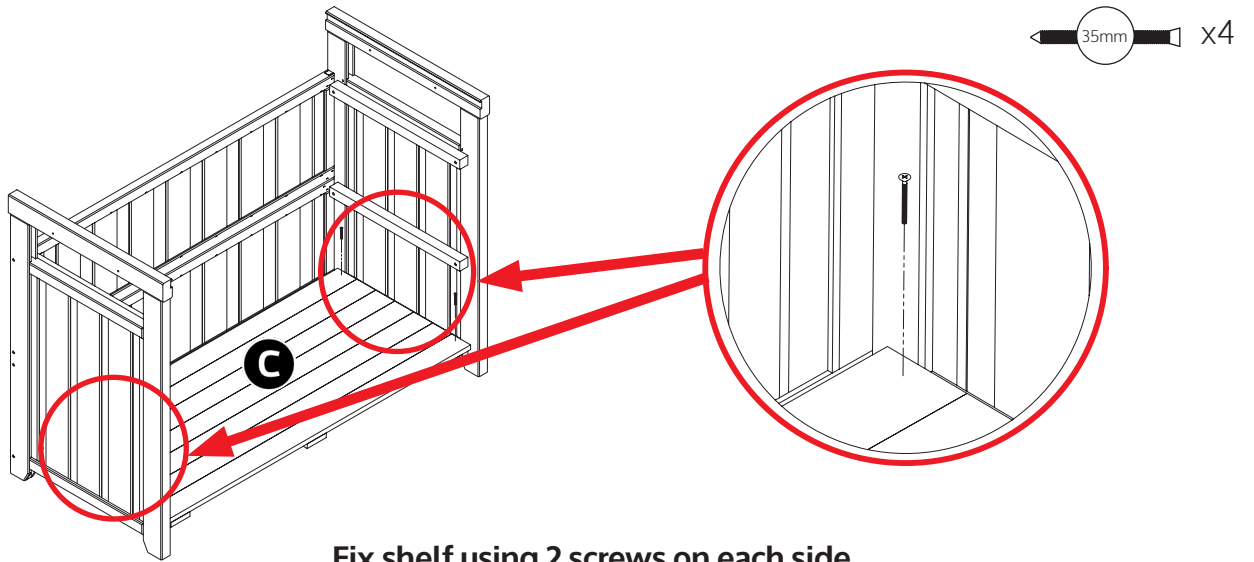


1



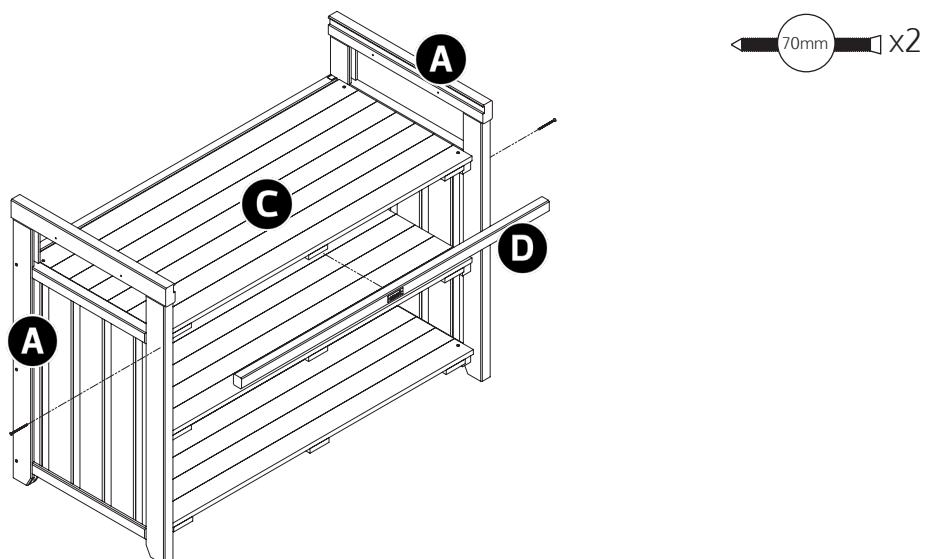
Align top of back panel (B) to top of side panel (A).
 Raise parts (A) & (B) off the floor using brace (D) to aid assembly, if required.

2



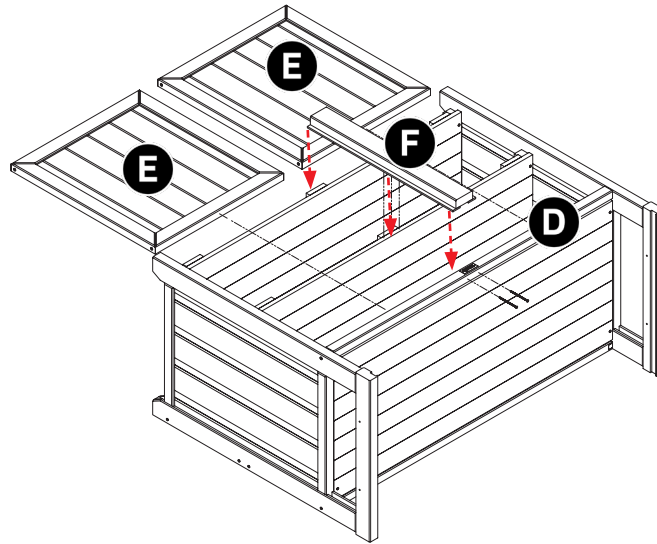
Fix shelf using 2 screws on each side.
 Repeat for remaining 2 shelves (C).

3



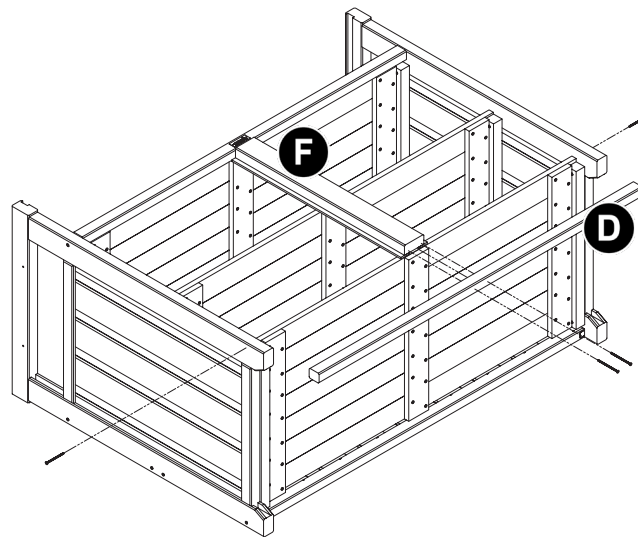
Fit brace (D) flush with side panels (A) and top shelf (C).

4

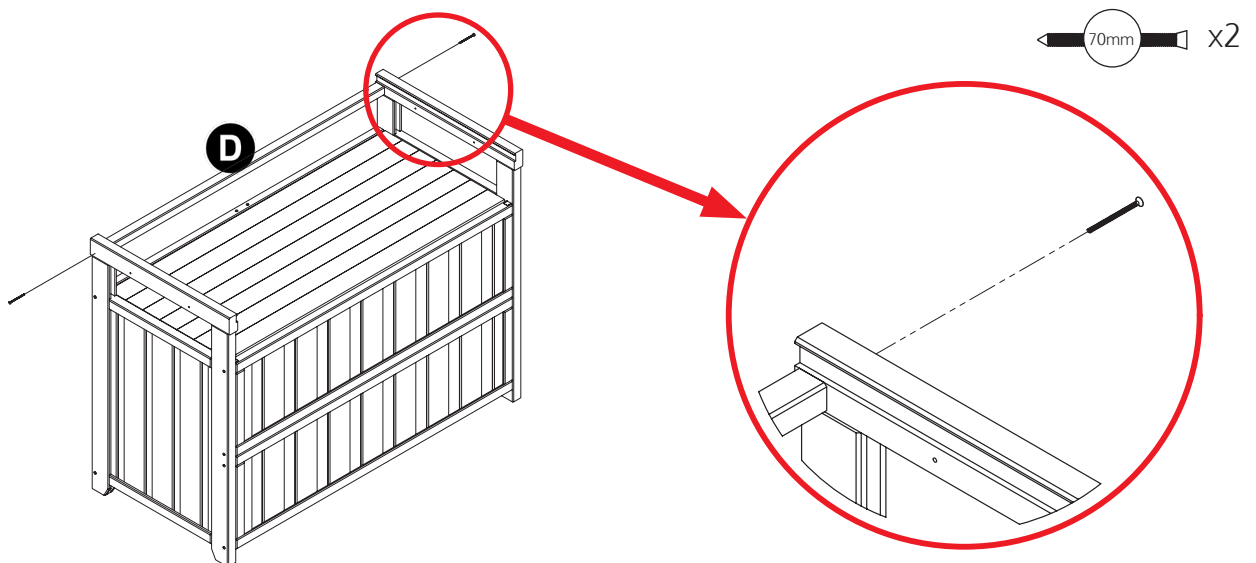


Use the 2 doors as a guide to help position the brace (F) in the centre.

5

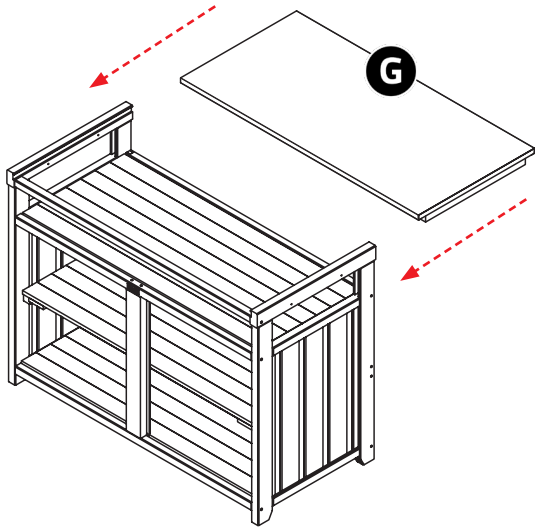


6



Position brace (D) flush with front of side panels (A).

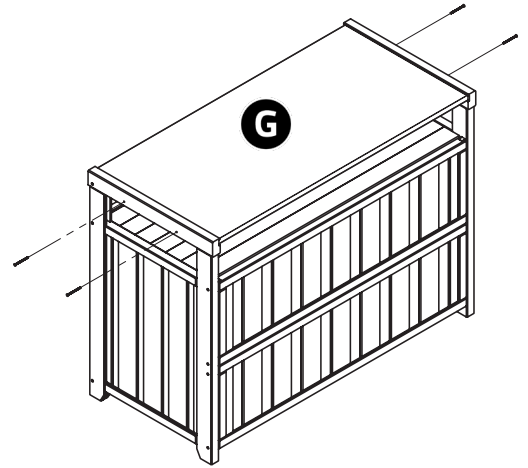
7



Slide into grooves in side panels (A).

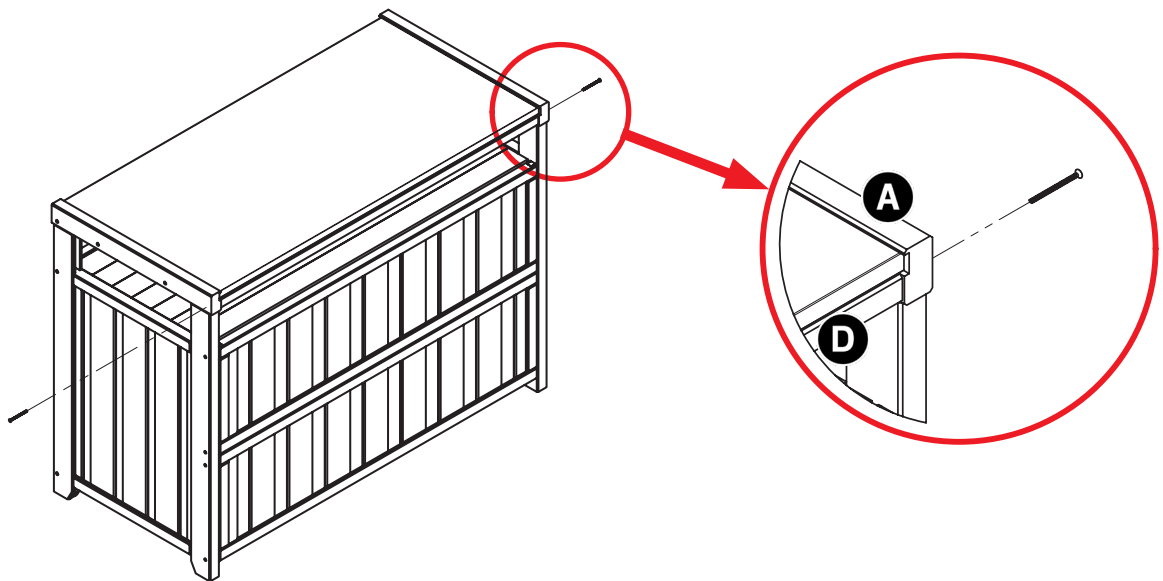
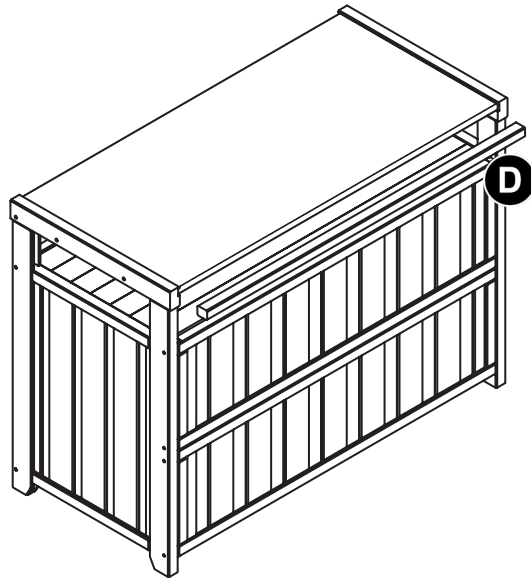
8

60mm x4



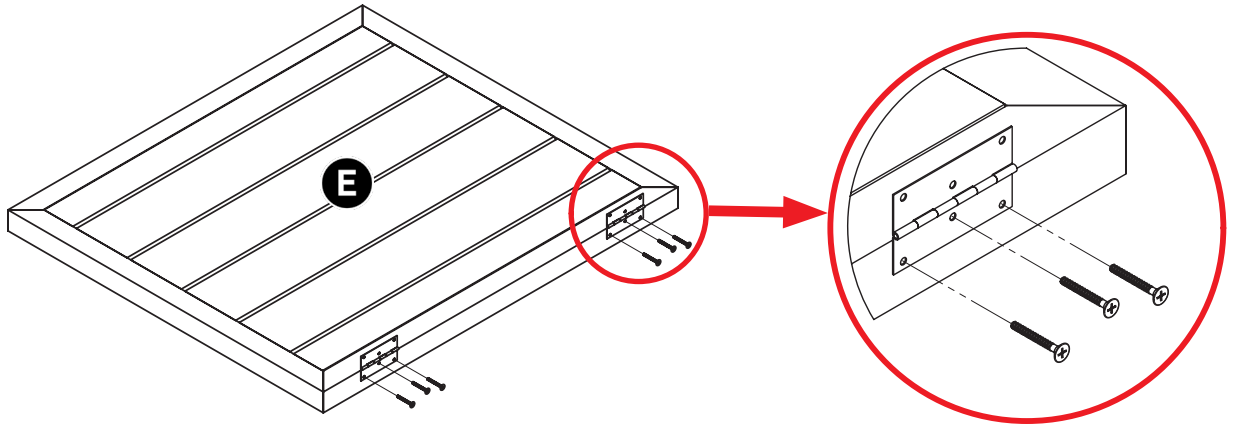
9

70mm x2



10

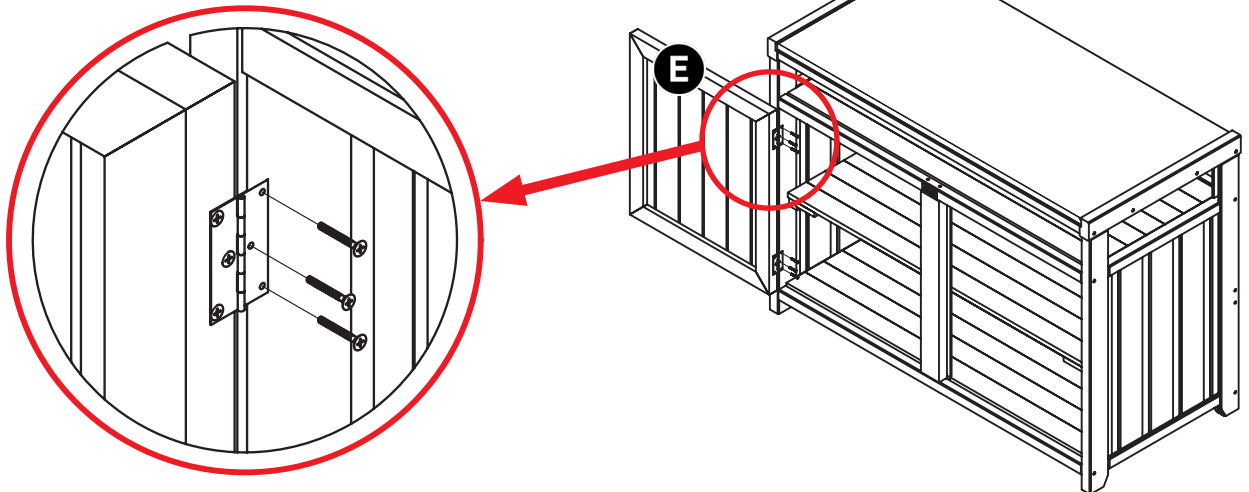
25mm X6



Place hinges 60mm from both ends, repeat for remaining door.

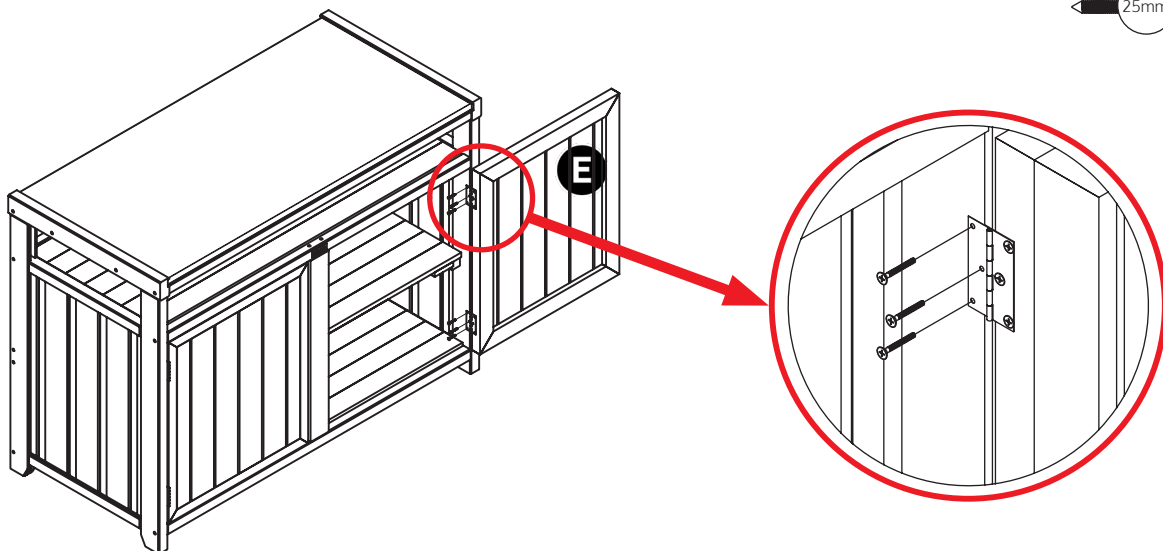
11

25mm X6



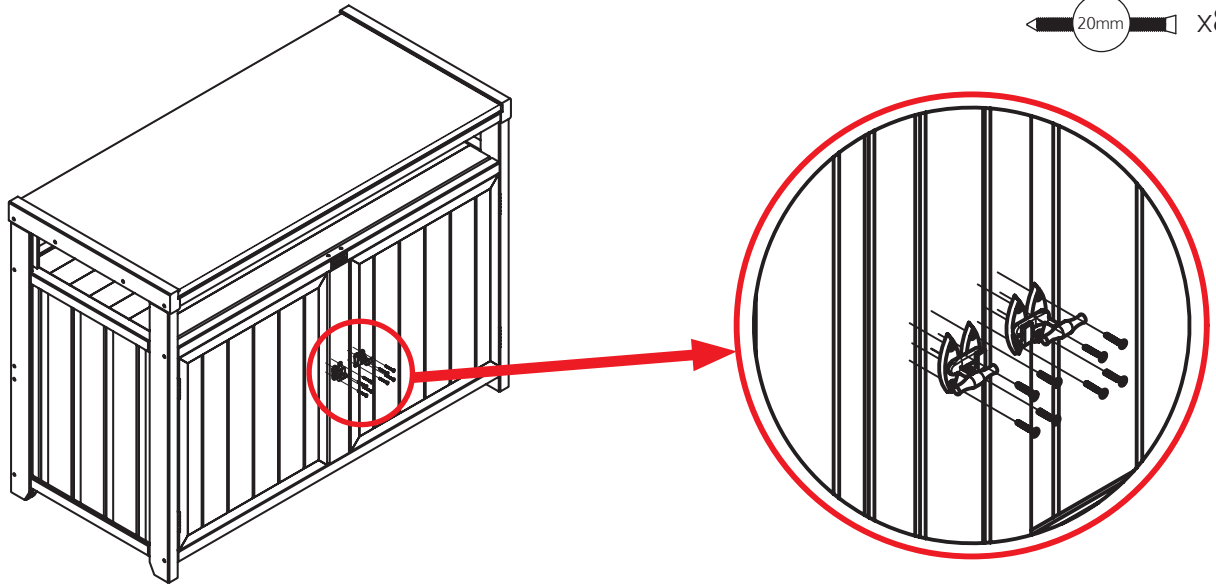
12

25mm X6

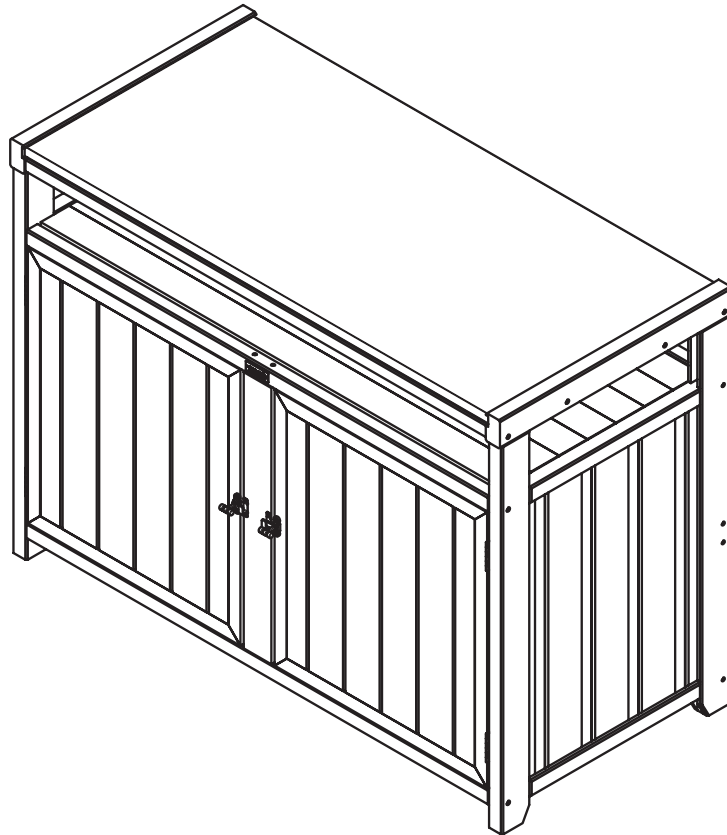


13

20mm x8



14



Your Terraza Outdoor Kitchen Double Unit is now complete.